

Due to its size, performance, cost, and high reliability, PathFindIR is an ideal nighttime vision camera for a variety of transportation and other driver's vision enhancement applications. Drivers of fire rescue, mining, recreational, commercial, and passenger vehicles all benefit from the ability to see more and react sooner to obstacles in their path at night.

Maritime, UGV, and Security OEM manufacturers will benefit from FLIR's experience in manufacturing military grade technologies for commercial clients. PathFindIR's simple integration and low cost enables new and exciting opportunities for OEM manufacturers who want to include thermal imaging in their product offerings.



With over 50,000 units fielded, the PathFindIR is the most reliable and affordable thermal imager available today.



PathFindIR



Specifications

Thermal Imager

Sensor Type	320 x 240 Uncooled Microbolometer
Field-of-View	36° H x 27° V
Spectral Band	8-14 microns (LWIR)

Outputs

PART NUMBER	VIDEO	FRAME RATE	APPLICATION
334-0001-00	Standard NTSC	30 HZ	U.S. or License
334-0001-00S	Low Rate NTSC	7.5 HZ	EXPORT - No License
334-0001-00P	Standard PAL	25 HZ	U.S. or License
334-0001-00PS	Low Rate PAL	8.3 HZ	EXPORT - No License

Power

Power Requirements	9 VDC - 16 VDC
Power Dissipation	<2W
With Heater On	<5W

Environmental

Operating Temperature	-40°C to 80°C
Weather Resistance	Hermetically Sealed, Automotive Certified connector
Window	High Impact Resistance with Built-in Automatic Heating Element

Dimensions/Weight

PathFindIR	57.4mm x 71.4mm x 84.7mm (2.3" x 2.8" x 3.3")
Weight	360 grams (0.8 lbs)

SANTA BARBARA CVS World Headquarters

FLIR SYSTEMS, INC.
70 Castilian Drive.
Goleta, CA 93117
USA
PH: +1 805.964.9797
FX: +1 805.685.2711
1.877.773.3547

www.flir.com
www.corebyindigo.com

Equipment described herein may require US Government authorization for export purposes. Diversion contrary to US law is prohibited. ©2008 FLIR Systems, Inc. Specifications are subject to change without notice, check our website: www.flir.com. Rev A 3/08

PathFindIR™ Driver's Vision Enhancement Thermal Camera



The Power of Thermal Imaging in a Compact Camera

The PathFindIR is the ideal thermal camera for OEM customers who need a low-cost, easy-to-integrate, high-resolution, sealed imager. Heavy vehicles, fire rescue vehicles, mining haul trucks, and UGV are all perfect applications for the PathFindIR.

Outstanding Performance in Harsh Environments

With a Core by Indigo VOx uncooled microbolometer, the PathFindIR provides unmatched image quality, contrast, and high MTBF in a compact, robust design.

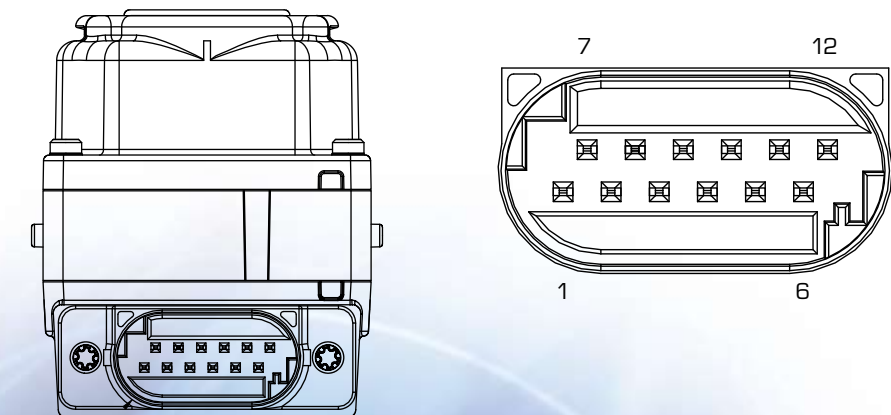


Grille-mounted PathFindIR

PathFindIR's 19mm, 36° lens is perfect for a wide variety of driver's awareness applications. With the addition of the system cable, PathFindIR is hermetically sealed and rated to IP67.

Simple Integration

While the PathFindIR incorporates simple power input (12VDC) and analog video output (NTSC or PAL), it also offers OEM's the more sophisticated option of interfacing with the LVDS signal output and LIN Bus command protocol, adding to the PathFindIR's flexibility.



Basic Configuration

Pin no.	Signal description
7	Power
1	Power return
12	Video
6	Video return

Open for OEMs

9	Digital data +
3	Digital data -
10	Digital data sync +
4	Digital data sync -
11	Digital data clock +
5	Digital data clock -
8	Communication (LIN)
2	Communication (LIN) return



Without FLIR With FLIR Without FLIR With FLIR Without FLIR With FLIR



With PathFindIR, FLIR can help manufacturers of mining, fire rescue, commercial, and passenger vehicles offer the latest safety technology.



OEM Monitor



Aftermarket Monitor

Part Number	Description	Lens
334-0001-00	PathFindIR, 30Hz, NTSC	19mm (36 degree HFOV)
334-0001-00P	PathFindIR, 25Hz, PAL	19mm (36 degree HFOV)
334-0001-00S	PathFindIR, 7.5Hz, NTSC	19mm (36 degree HFOV)
334-0001-00PS	PathFindIR, 8.3Hz, PAL	19mm (36 degree HFOV)

Feature	Benefit
Sealed Design (IP67)	Can be integrated in a variety of applications and environments without the need for external packaging.
High Impact Optic	Assures functionality in even the toughest environments.
Small form factor	Simple integration into a variety of systems without the need for customization.
Fast Integration	Analog video output (NTSC or PAL) and power input (12VDC)
Digital Data (LVDS) LIN Communication	For more customization and higher level OEM needs.
Low Cost	Due to its volume of production the PathFindIR offers price points for thermal imaging cores never seen before.

Specifications subject to change without notice.

Accessories

PathFindIR System Cable, 20 foot: Designed for simple connectivity and integration, the standard system cable has two open power leads and one video cable with a BNC connector. Combined with the PathFindIR camera this cable provides IP67 certification.



PathFindIR OEM System Cable, 20 foot: Designed for use in advanced integrations, the OEM cable provides access to all pins on the bottom of the PathFindIR unit. All wires are open and the video cable is terminated with a BNC connector.

PathFindIR Universal Bracket: Provides a simple, robust cradle for mounting the PathFindIR camera in a variety of vehicle locations. 12 tapped screw holes provide easy and flexible mounting options. The Universal Bracket also allows easy alignment of the PathFindIR camera for even more mounting flexibility.



PathFindIR Bench Top Kit: The Bench Top Kit provides easy access to video through the BNC connector. The Kit also includes an AC power supply and a tripod/bench top mount to assist with testing and evaluation of the PathFindIR camera in laboratory settings.

